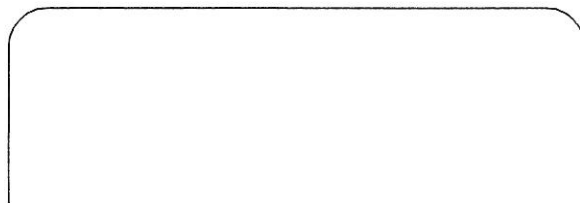
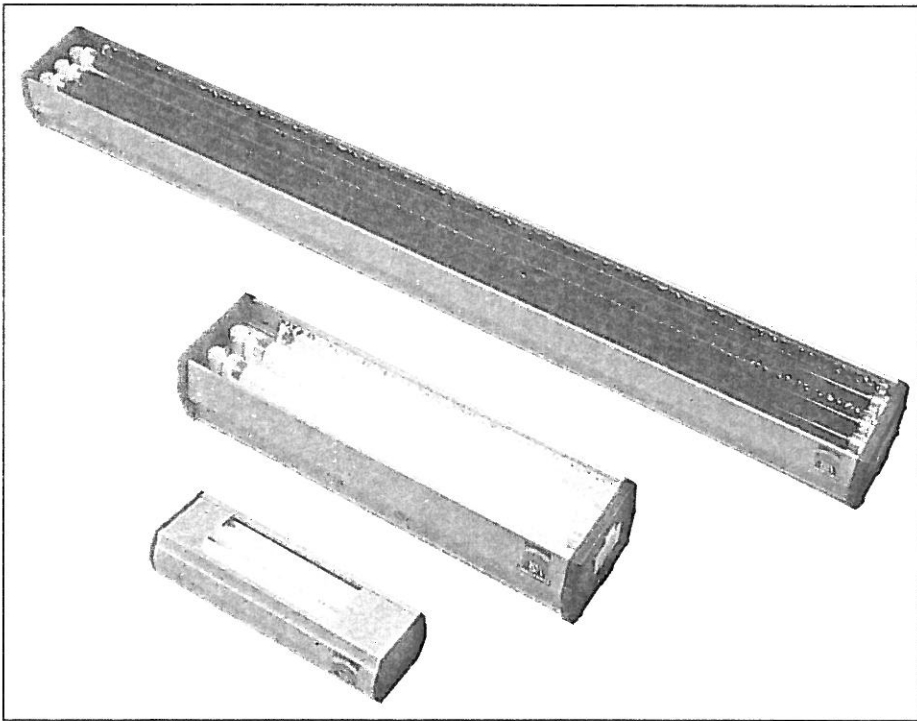
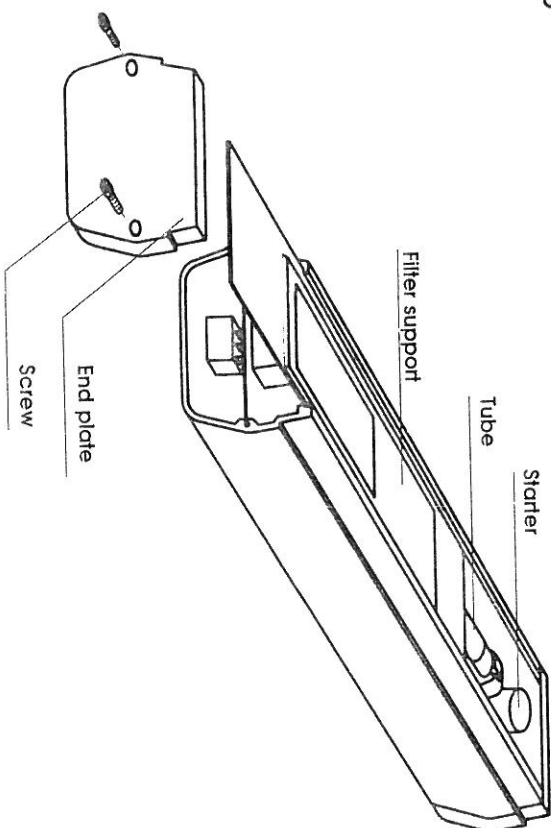


LAMPS



LAMPS WITH FILTERS

VL-4
VL-6
VL-8



CHANGING THE TUBES

- Before dismantling, unplug your lamp.
- Unscrew the 2 screws on the end plate opposite the power cable.
- Remove the end plate.
- Slide the filter-support out of the lamp casing.
- Take care not to let the filter catch against the tube-holder. If this happens, press on the tube-support plate to help the filter slide more easily.
- Change the tube(s) and starter(s).

A quarter turn will release the tubes and starters.

IMPORTANT : Reassemble the lamp completely before checking its functions correctly.
To reassemble the lamp, follow the above instructions in reverse order.

WARNING / ON THE SAFETY

- This unit must be connected to a wall outlet having protective earth terminal, Connecting to ground constitutes an obligatory protection.
- To prevent fire or shock hazard, do not expose the unit to rain or moisture.
- Unplug the unit from the wall outlet if you will not be using it for a long time.
- Disconnect the power cord by grasping the plug. Never pull the cord itself.



This symbol is warning against a possible UV radiation. You have to protect the eyes and skin from the UV radiation.

- This symbol indicates an alternative input.

CLIMATIC CONDITIONS USING

- Altitude : ≤ 2000 meters
- Operating humidity : 20% to 80% (no condensation allowed)
- Operating temperature : 5°C to 40°C

OPERATING INSTRUCTIONS

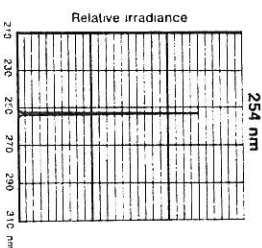
- Check that your electrical supply is compatible with the voltage of your lamp.
- Plug the unit into a **properly grounded electrical outlet**.

- | | |
|---------------------------|---------------------------|
| LAMP 1 WAVELENGTH | LAMP 2 WAVELENGTHS |
| 1 x 2 – position switch : | 1 x 3 – position switch : |
| ON/OFF | ON/OFF/ON |

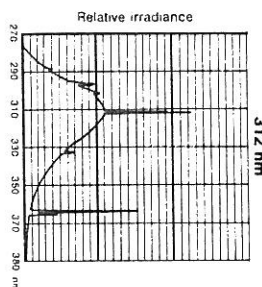
POWER

- See the power values for each item in the spare parts and characteristics board on the last page.

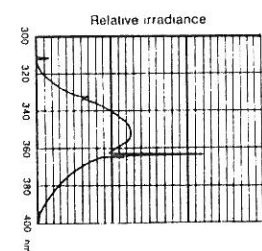
SPECTRAL CURVE



Filter lifetime 2000 hours
Intensity : 7 mW/cm²



Unlimited filter life time
Intensity : 8 mW/cm²



Unlimited filter life time
Intensity : 7 mW/cm²

WARRANTY

Our products (except tubes and filters) are warranted against faulty construction or defective material for a period of ONE YEAR from the date of supply except for damage due to carelessness, incorrect utilisation or bad maintenance.
The use of consumable products or non-original spare parts not recommended by our service department is at the user's own risk and therefore automatically invalidates the warranty.
We reserve the right to decide where the faulty goods will be repaired (in our workshop or elsewhere) and whether or not the faulty part is to be replaced, all other freight charges incurred being at the cost of the purchaser.
Returned goods will not be accepted for repair unless previous written authorization is obtained from our service department. Manufacturer cannot be held responsible for any loss, bodily injury or material accident incurred by any failure of this supply, whatever the origin of this failure may be.
The responsibility of Manufacturer is strictly limited to its staff and to its own supplies.



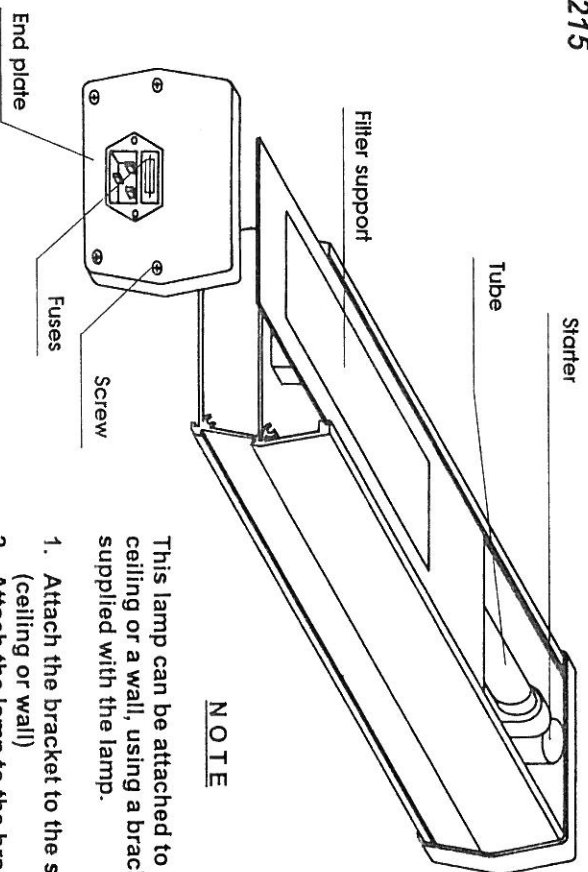
WARNING



UV radiation can be dangerous for unprotected eyes and skin, therefore we recommend the user to wear UV protective goggles (Ref LP-70) or face shield (Ref MP-80 or MP-800)

LAMPS WITH FILTERS

VL-115
VL-215



This lamp can be attached to the ceiling or a wall, using a bracket supplied with the lamp.

NOTE

1. Attach the bracket to the support (ceiling or wall)
2. Attach the lamp to the bracket with the two lamp screws

CHANGING THE TUBES

- a) Before dismantling, unplug your lamp,
- b) Unscrew the 4 screws on the end plate and remove the end plate,
- c) Slide the filter-support out of the lamp casing,
- d) Change the tube(s) and starter(s).

A quarter turn will release the tubes and starters .

IMPORTANT : Reassemble the lamp completely before checking it functions correctly.

To reassemble the lamp, follow the above instructions in reverse order.

TYPE OF FUSE

Type FST - Time-lag T - Ø 5 x 20 (see fuse values in the spare parts board on the last page)



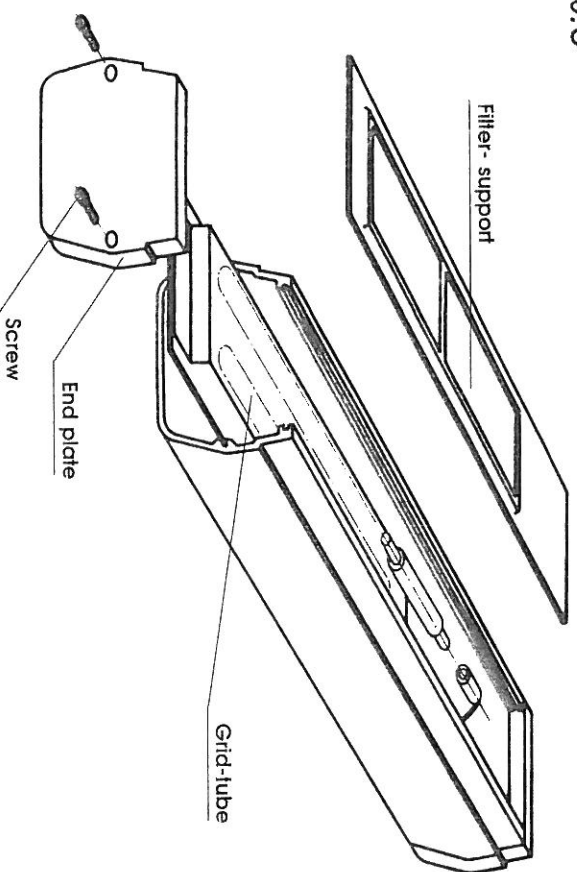
WARNING



UV radiation can be dangerous for unprotected eyes and skin, therefore we recommend the user to wear UV protective goggles (Ref. LP-70) or face-shield (Ref. MP-80 or MP-800)

LAMPS WITH FILTERS

VL-50.C



CHANGING THE TUBES

- a) Before dismantling, unplug your lamp,
- b) Unscrew the 2 screws on the end plate opposite the power cable,
- c) Remove the end plate,
- d) Slide the filter-support out of the lamp casing,
- e) Disconnect the grid-tube and the grounded clip,
- f) Remove the grid-tube/reflector,
- g) Change the grid-tube.

IMPORTANT : Reassemble the lamp completely before checking it functions correctly.

To reassemble the lamp, follow the above instructions in reverse order.
* Fuses are located in the transformer.

TYPE OF FUSE

Type FST - Time-lag T - Ø 5 x 20 see fuse values in the spare parts board on the last page)



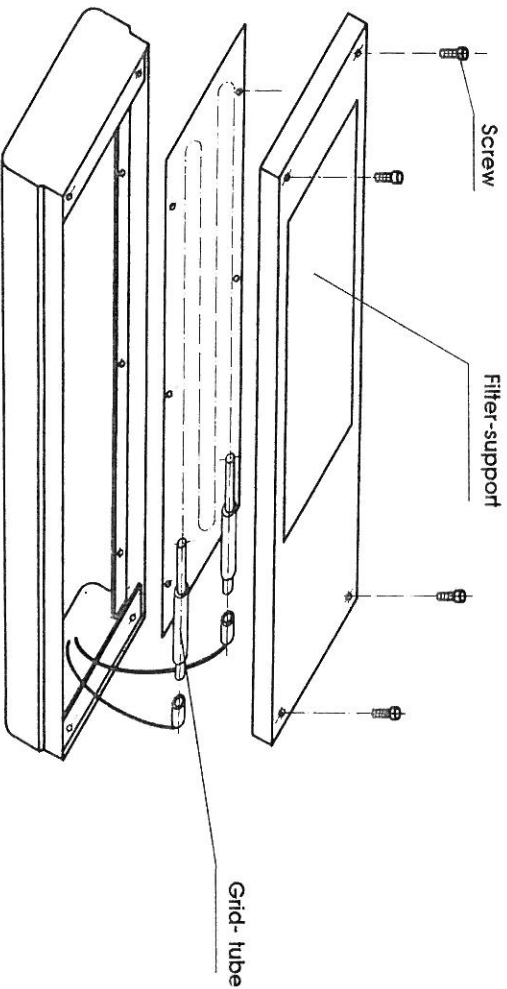
WARNING



UV radiation can be dangerous for unprotected eyes and skin, therefore we recommend the user to wear UV protective goggles (Ref. LP-70) or face-shield (Ref. MP-80 or MP-800)

LAMPS WITH FILTERS

VL-100.C



CHANGING THE TUBES

- Before dismantling, unplug your lamp,
- Unscrew the 4 screws on the filter-support,
- Remove the filter-support,
- Disconnect the grid-tube,
- Unscrew the 4 screws on the reflector/grid tube,
- Remove the reflector/grid-tube,
- Change the grid-tube.

IMPORTANT : Reassemble the lamp completely before checking.

To reassemble the lamp, follow the above instructions in reverse order.

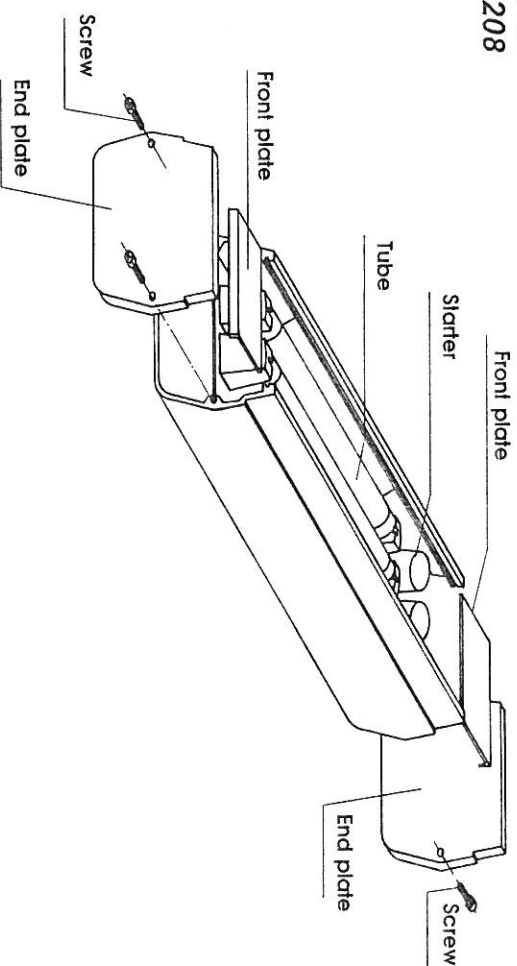
* Fuses are located in the transformer.

TYPE OF FUSE

Type FST - Time-lag T - Ø 5 x 20 (see fuse values in the spare parts board on the last page)

LAMPS WITHOUT FILTERS

VL-204
VL-206
VL-208



CHANGEMENT DES TUBES

- Before dismantling, unplug your lamp,
- Unscrew the 2 screws on each end plate,
- Remove the 2 end plates,
- Remove the 2 front plates of the lamp casing,
- Change the tube(s) and starter (s).

A quarter turn will release the tubes and starters.

IMPORTANT : Reassemble the lamp completely before checking it functions correctly.

To reassemble the lamp, follow the above instructions in reverse order.



WARNING



UV radiation can be dangerous for unprotected eyes and skin, therefore we recommend the user to wear UV protective goggles (Ref. LP-70) or face-shield (Ref. MP-80 or MP-800)



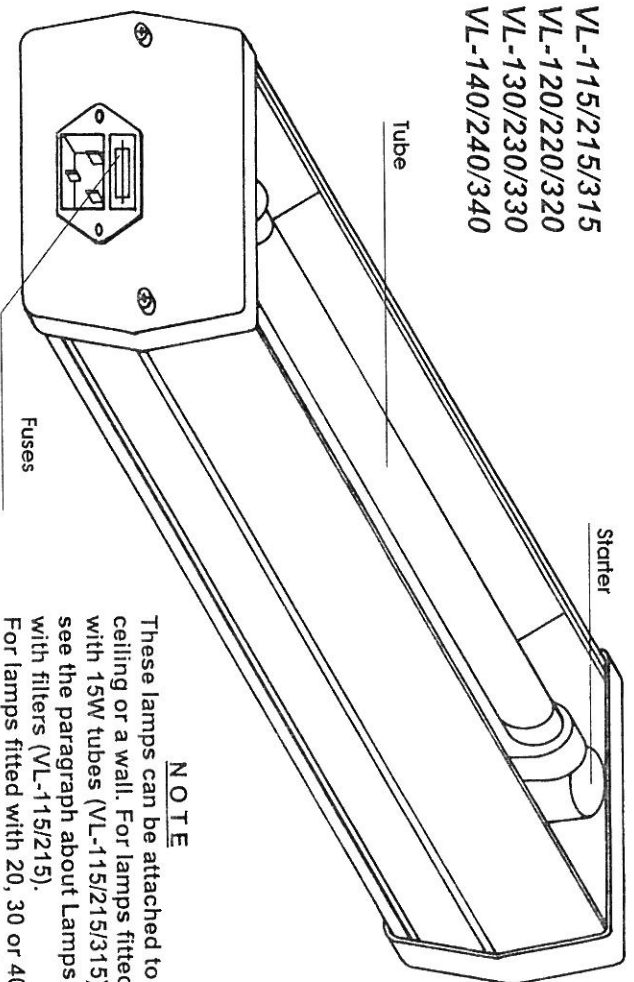
WARNING



UV radiation can be dangerous for unprotected eyes and skin, therefore we recommend the user to wear UV protective goggles (Ref. LP-70) or face-shield (Ref. MP-80 or MP-800)

LAMPS WITHOUT FILTERS

VL-115/215/315
 VL-120/220/320
 VL-130/230/330
 VL-140/240/340



NOTE

These lamps can be attached to the ceiling or a wall. For lamps fitted with 15W tubes (VL-115/215/315) see the paragraph about Lamps with filters (VL-115/215). For lamps fitted with 20, 30 or 40W, tubes there are two slide fixation brackets on the lamp. After percing the ceiling or the wall, attach the lamp.

CHANGING THE TUBES

- a) Before dismantling, unplug your lamp.
- b) Change the tube(s) and starter(s).

A quarter turn will release the tubes and starters.

IMPORTANT : Reassemble the lamp completely before checking it functions correctly.

To reassemble the lamp, follow the above instructions in reverse order.

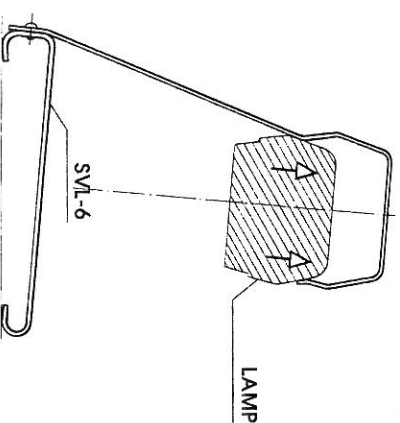
TYPE OF FUSE

Type FST - Time-lag T - Ø 5 x 20 (see fuse values in the spare parts board on the last page)

ACCESSORIES

STAND SVL-6
 for type VL-4 / VL-6 / VL-8 Lamps

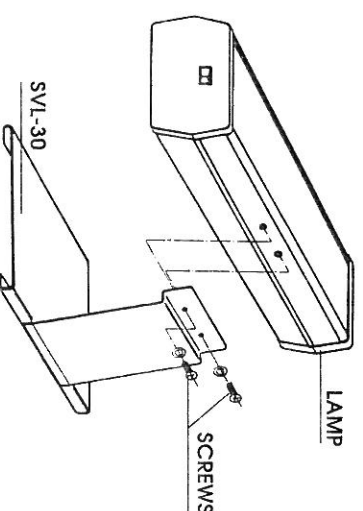
To attach the lamp to the stand, place the lamp casing into the bracket as shown opposite.



STAND SVL-30
 for type VL-115 / VL-215 / VL-315 Lamps

To attach the lamp to the stand, place the top of the stand in the groove of the lamp casing and align the fixing holes.

Attach using the two screws supplied with the lamp.



DECLARATION OF CONFORMITY

The materials complies with the requirements of the EC Directive 89/336/EEC, 73/23/EEC and EN 61010-1 (electro-magnetic compatibility and low voltage)
 The electro-magnetic susceptibility has been chosen at a level that gains proper operation in residential areas, on business and light industrial premises and on small-scale enterprises, inside as well as outside of the buildings. All places of operation are characterized by their connection to the public low voltage power supply system.



WARNING



UV radiation can be dangerous for unprotected eyes and skin, therefore we recommend the user to wear UV protective goggles (Ref. LP-70) or face-shield (Ref. MP-80 or MP-800)